



# Automatic Bollards Heritage Range



EDSUKBO8a



EDSUKBO8b



EDSUKBO8c



EDSUKBO8d



EDSUKBO8e



EDSUKBO8f

## Outline Specification: EDSUKB08 Heritage Range

Model No	Diameter	Raise Height	Impact Rate	Wall Thickness	Weight	Tested Cycles
EDSUKBO8a	120mm	500mm	2400 Joules	11mm	58Kg	4million
EDSUKBO8b	120mm	750mm	2400 Joules	11mm	72Kg	4million
EDSUKBO8c	200mm	500mm	5000 Joules	11mm	86Kg	4million
EDSUKBO8d	200mm	750mm	5000 Joules	11mm	109Kg	4.5million
EDSUKBO8e	250mm	500mm	9000 Joules	11mm	121Kg	4.5million
EDSUKBO8f	250mm	750mm	9000 Joules	11mm	159Kg	4.5million
Construction	Cast Steel, with Options of Stainless Steel.					
Finish	Powdercoating – With standard colours and options colour to Any Ral Number. Shotblasted to clean metal, hot-dipped galvanised or coated with zinc, with a special 3-part coating system with polyurethane top coat. c/w high visibility band.					



# Automatic Bollards Heritage Range

## EDSUKB08 Heritage Range

Safety	Supplied with failsafe protection around the installed bollards. Additional safety such as photocells, interactive IR detectors or magnetic loops can be provided.
Drive Unit	Underground hydraulic, c/w manual lowering override.
Operating Speeds	Rising & Lowering Speeds Adjustable.
Controls	Microprocessor controlled drive unit which can interface to any standard control system, i.e. card reader, push button, keypad etc, etc.
Power	Single Phase 230vac (UK) Supply both 50/60 Hz, c/w 10mtrs standard cable.
Operating Temperature	-15 to +70 degrees Centigrade
Duty Cycle	Continuous
Resistance to Impact	No permanent damage 2,400 Joules – 9,000. With permanent damage 90,000 Joules

EDSUKBO8 Heritage Range of bollards are designed to be in keeping with most architectural surrounding, with the top of the bollard featuring horizontal fluting. The bollards are manufactured in a range of various heights and diameters with impact rating to suit.

The EDSUKBO8 Heritage bollards are designed to protect premises and for use in traffic control in both private and public areas. It consists of a flanged cylinder providing a casing to the rising bollard, an electronic control box and a motor pump unit. The housing cylinder, to be inserted into a foundation tube cemented into the ground and is firmly secured to the foundation with anchor flanges. Suitable openings in the lower and middle sections of the bollard are provided both to drain possible water residues that may gather inside and for cables access into the bollard for the electrical connections. Inside the location cylinder is the rising bollard which can be activated by a range of control devices, such as radio transmitters or keyswitch through the main control box, to the raised or fully lowered positions. The combination of the colours and finishes provides an aesthetically pleasing bollard. Three lights are fitted as warning signals while the bollard is operated.

The bollard travels smoothly in the raise or lower positions. In event of power failure a manual override is provided from the top of the bollard by means a specially designed Tool (supplied) to lower the bollard. The EDSUKBO8 Heritage bollards are designed to be a fully automatic bollard conforming to the existing safety regulations, installed and tested by EDSUK, a guarantee of long lasting higher reliability.

The bollards have an integral impact rating as listed in the above table, if a higher rating of impact resistance is required, then please refer to our "Crash Tested Bollard Range".

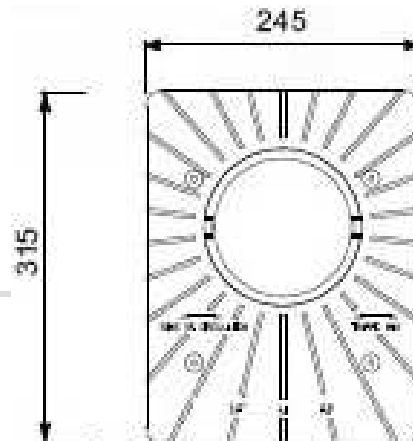
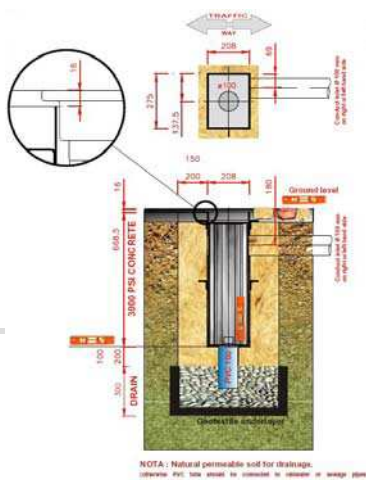
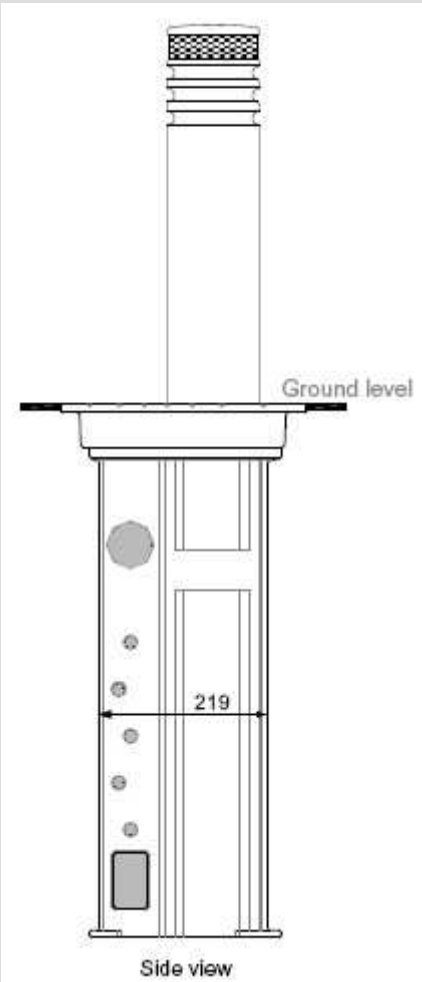
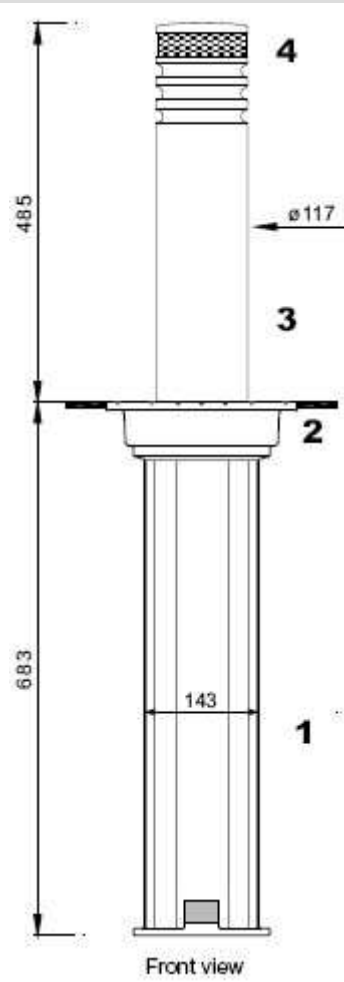


# Automatic Bollards Heritage Range

## EDSUKB08a Heritage Range 120mm x 500mm



- LEGEND:**  
1 - Casing  
2 - cover  
3 - bollard head  
4 - reflecting tape





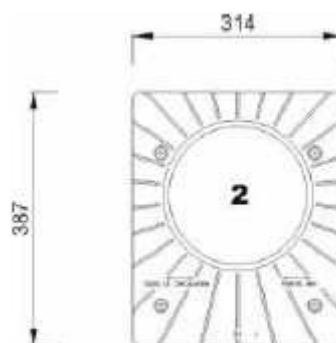
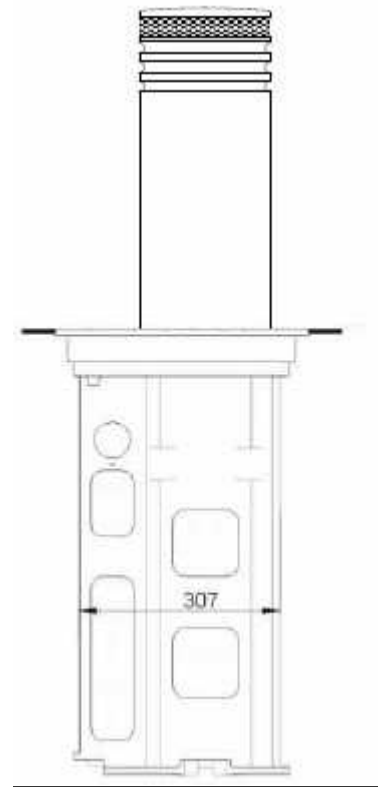
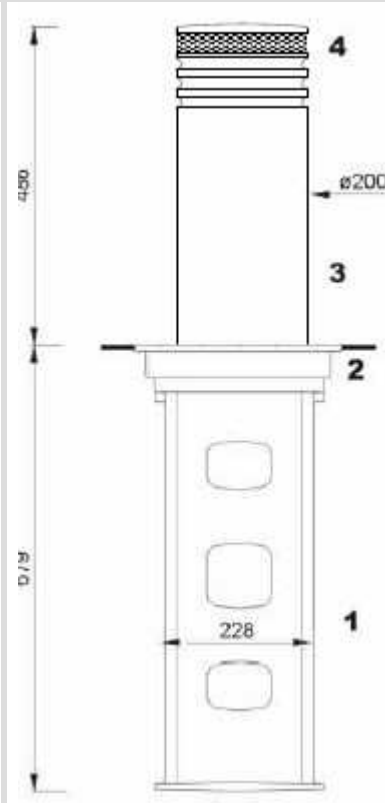


# Automatic Bollards Heritage Range

**EDSUKB08c Heritage Range 200mm x 500mm**



- LEGEND:**  
1 - Casing  
2 - cover  
3 - bollard head  
4 - reflecting tape







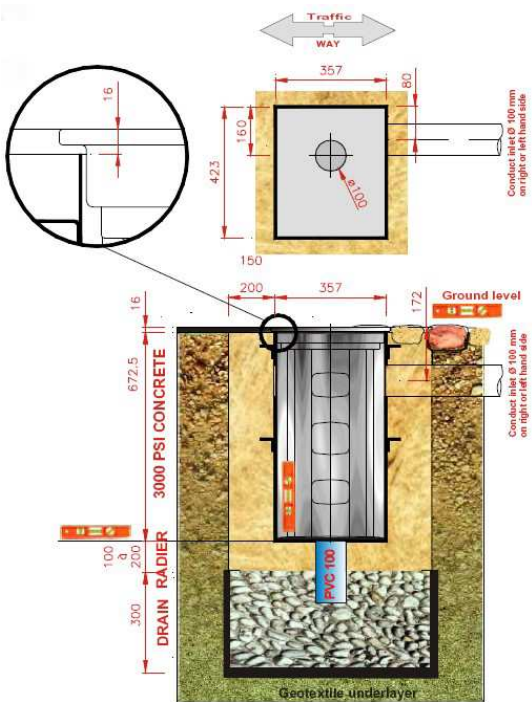
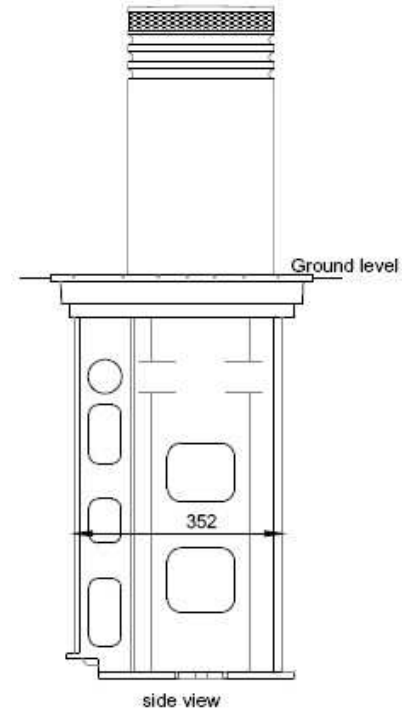
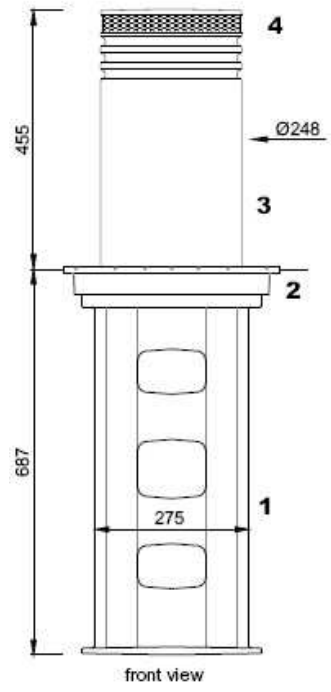


# Automatic Bollards Heritage Range

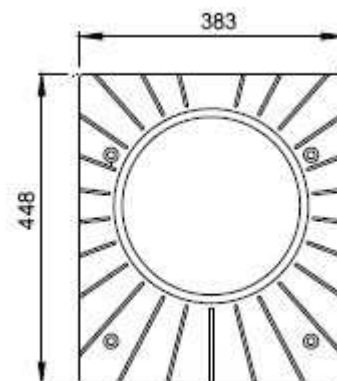
**EDSUKB08e Heritage Range 250mm x 500mm**



- LEGEND:**
- 1 - Casing
  - 2 - cover
  - 3 - bollard head
  - 4 - reflecting tape



NOTA : Natural permeable soil for drainage.  
(otherwise PVC tube should be connected to rainwater or sewage pipes)



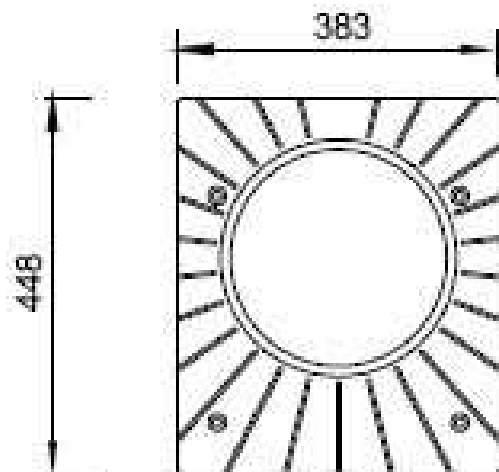
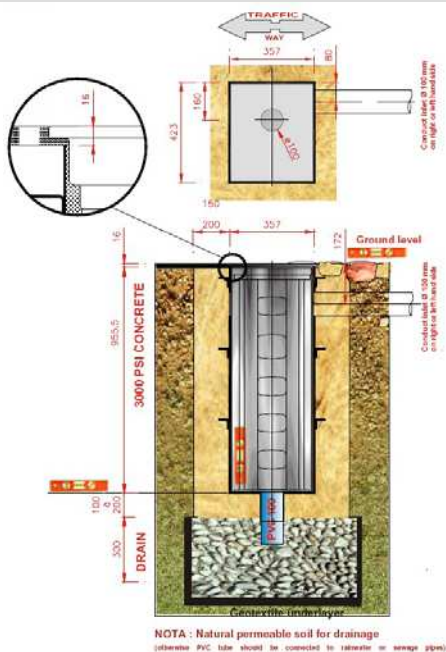
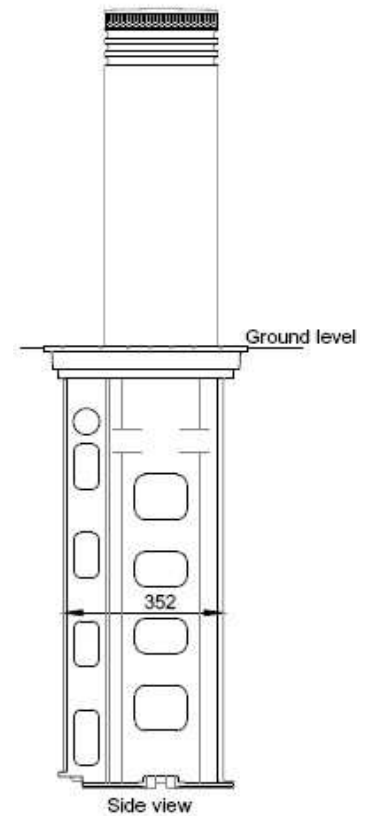
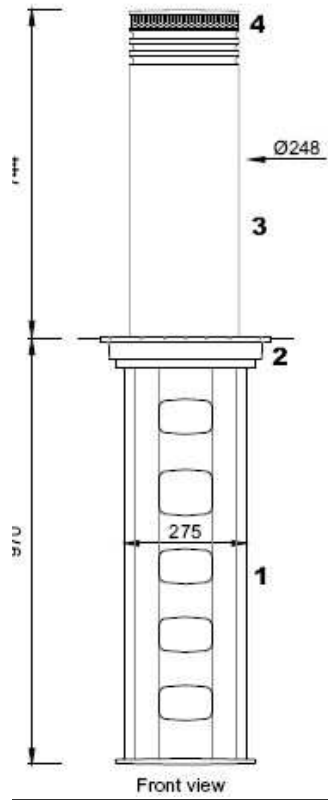


# Automatic Bollards Heritage Range

EDSUKB08f Heritage Range 250mm x 750mm



- LEGEND:**
- 1 - Casing
  - 2 - cover
  - 3 - bollard head
  - 4 - reflecting tape







# Automatic Bollards Heritage Range

## OPTIONAL FEATURES

### Switch & Timer Operation

Push button, Desktop Switch, Keyswitch, & 24hr timer for automatic mode operation.



### ANPR – Automatic Numberplate Recognition & AVR Automatic Vehicle Recognition

Allows automatic operation by checking the registration plate against a known safe list, or a unique tag mounted in/on the vehicle, if verified then access is granted.

### Intercom Control

Audio, Video & Audio, GSM Intercom operated over a mobile phone SIM card.

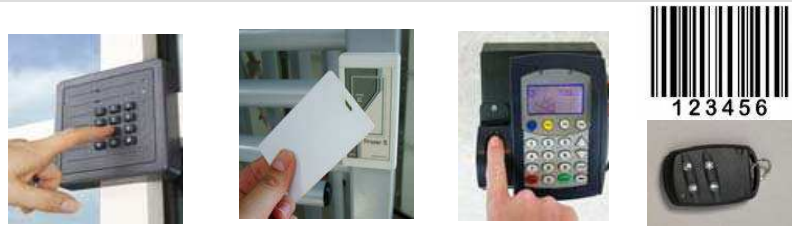


### Safety/ Opening Loop

Underground loops can be installed for vehicle presence detection, safety, opening/rise, close/lower, switching, alarms, counting of vehicles entering and leaving the site.

### Access Control Integration

Keypads, Magnetic Swipe Card, Barcodes, Proximity Card, Photo ID, RFID & Radio Remote Control Technology, Biometric Controls, can all operate the system.



### UPS – Battery Backup Facility

Battery back-up facility to operate the system in the event of a power fail and provides a level of mains power filtering.



### Traffic Light Control

LED traffic lights and information signs, full & spaces, stop & go and bespoke directional signs etc.



### Photocell Safety/ Opening Sensors

Photocell detectors providing opening/rise, close/lower, Switching & alarms etc.



### Token Operation

Simple token operation with slotted token, can be customised with your organisations logo or name.

