



EDSUKMT1 Man Trap Cylinder Gate



Outline Specification: EDSUKMT1 MAN TRAP CYLINDER GATE

Dimensions	Height 2345mm Depth 784mm Width 1260mm
Construction & Finish	Sliding Doors: Cylindrical shaped, 1.5 mm thick, 304 grade stainless steel Option of Full Glass Door.
Safety	Supplied with failsafe built-in protection. Additional safety such as photocells, interactive IR detectors can be provided.
Drive Unit	Electro-Mechanical, c/w manual override. Emergency mode is activated by contact on emergency input terminals located on the control unit. Circular sliding doors can be rotated open manually to allow free exit. Green status indicators and audible alarm remain on in the emergency mode.
Indicator Feature	Green & Red Dot Matrix LED on both side panels (Optional Animated Display). Signalization is provided by means of direction indicators placed on both sides of the unit ("green arrow" indicating passage direction, "red bar" indicating unauthorized passage). In addition, a buzzer provides audible passage signal. Audio and visual warning signals are activated in alarm mode.
Controls	Control System: All inputs are opto-coupler protected .Controlled by dry contact or grounding input. Compatible with all access control systems that provide dry contact or grounding outputs. Optional RS232/RS485/TCP IP control module is available.
Power	Single Phase 110Vac/230vac (UK) Supply both 50/60 Hz. (%± 10) 24V. DC at standby ~ 14 W. max. ~ 130W.
Operating Temperature	Humidity, IP Rating : -20°C to +68°C / RH 95% non-condensing / IP 44 Indoor Model



EDSUKMT1 Man Trap Cylinder Gate

Operation

Bi-directional, Microprocessor controlled DC motor driven system - Interior cylinder is closed to both directions at standby position; when a passage is authorized; the circular sliding door opens and allows entry into the cylinder. When a person enters the cylinder, the circular sliding door rotates in the opposite direction to allow exit from the other side. After the person leaves the cylinder, the circular sliding door rotates back to the standby position closing both entrances, ready for the next passage. - If the system is forced to rotate open without an authorization, alarm mode is activated and the system is locked. -If another person attempts to enter the cylinder without authorization while the first person exits, alarm mode is activated and the system is locked.

Microprocessor controlled drive unit which can interface to any standard control system: Coins, Switch Operation, Intercom, Token, Barcode, RFID Radio Frequency, Radio Keyfob Transmitter, Proximity Card, Proximity Tag, Magstripe Card Reader, Digital Keypad, Biometric Fingerprint or Hand Geometry Readers, Building Management Systems, etc.

The EDSUKMT1 Man Trap Cylinder gate is a bidirectional cylindrical round sliding tube gate, constructed from Stainless Steel structure, with stainless sliding steel doors (optionally full glass), which can be programmed in a number of ways; controlled entry or exit with free entry or exit or controlled in both ways. On power failure the gate is free rotation both ways, allowing for free and easy access.

Flow Rate: 2 Persons / Minute - Approximate for one person per walkway or lane. Utilisation of different access control units can change these figures between minimum and maximum rates

The EDSUKTMT1 offers the benefit of being affordable due to its simpler lines and construction yet still projects the image of an elegance & robustness. The EDSUKTMT1 can also be fitted with battery power pack UPS (which can be either built into the unit or situated remotely) to keep in the secure state on power failure.

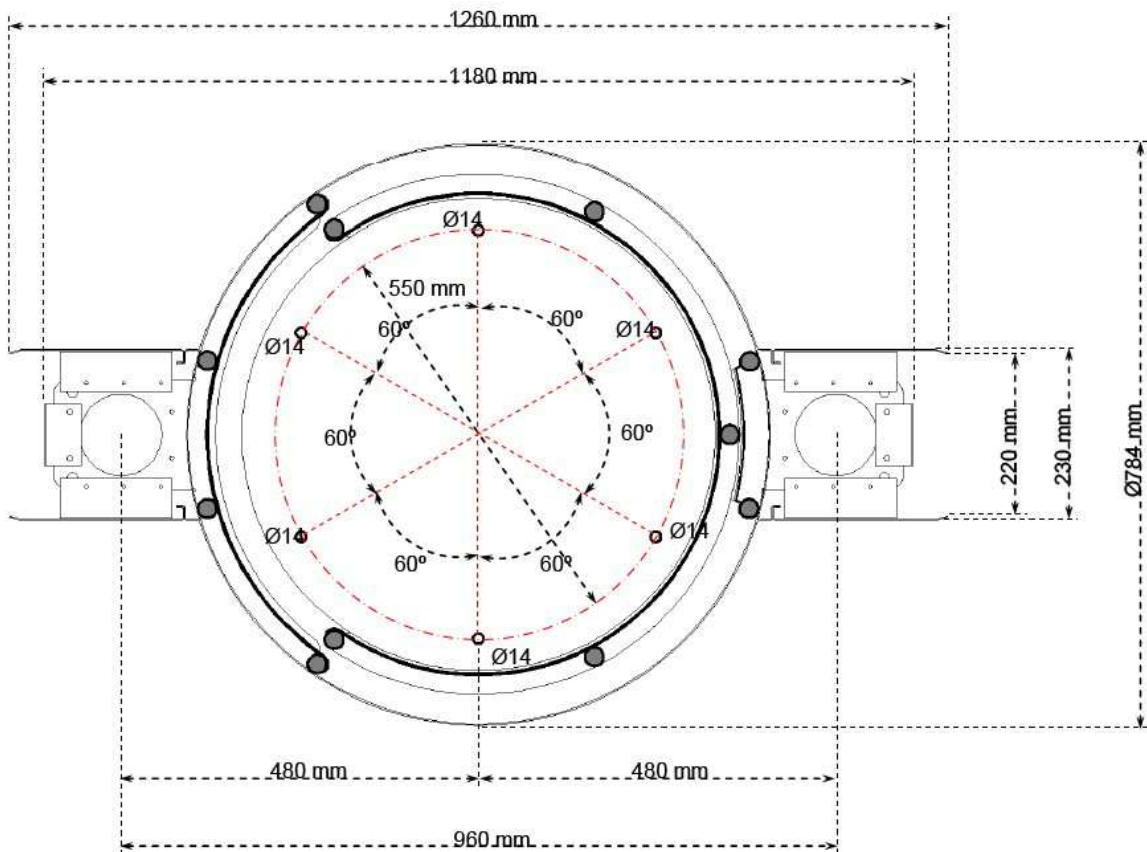
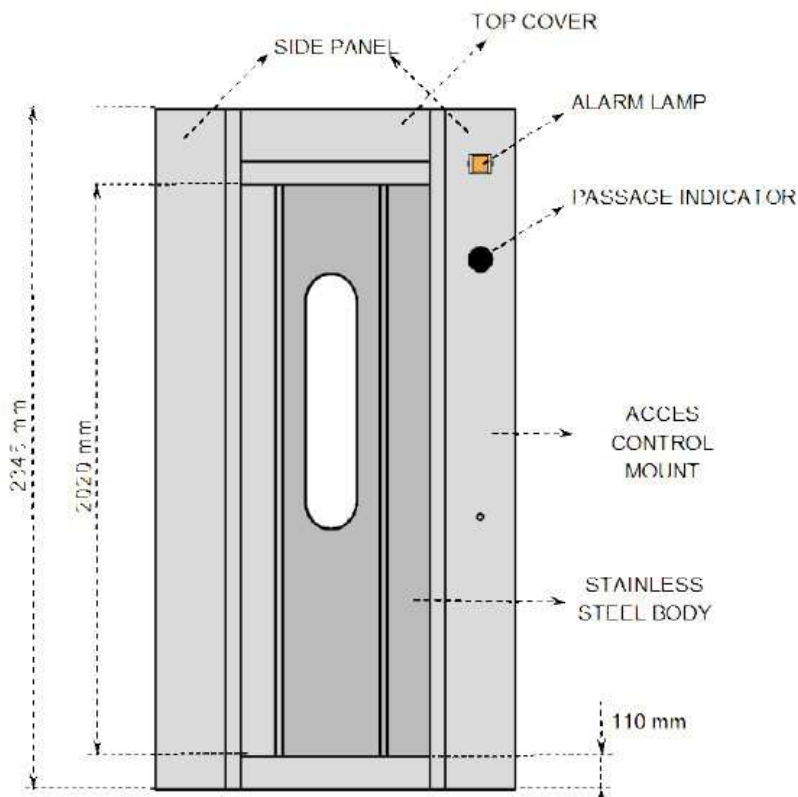
Any excess gaps between the EDSUKTMT1 and the walls or other Turnstiles or Access Gates can be made up with our range of Glass Barrier Rail or Stainless Steel Rope System to provide an architectural and aesthetically pleasing finish, other options are also available.

Please contact our Sales Department for further details on this Product.



EDSUKMT1 Man Trap Cylinder Gate

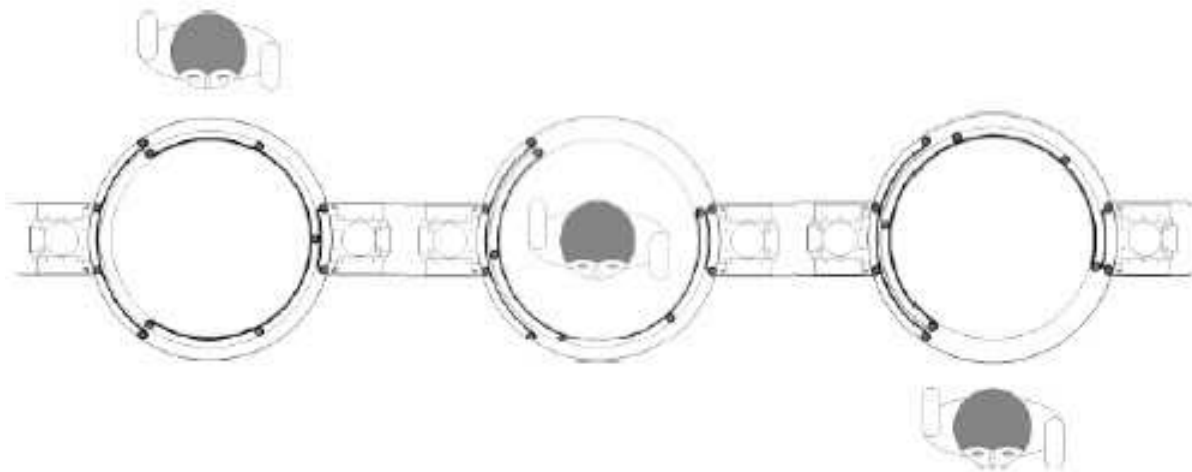
Example Images, Technical Specification & Notes:





EDSUKMT1 Man Trap Cylinder Gate

Example Images, Technical Specification & Notes:





EDSUKMT1 Man Trap Cylinder Gate

Optional Features

Barrier Rail Infill Panels

Glass, Chrome, Stainless Steel or Wire sections used for infill between turnstiles & gates and other structures.



Switch & Timer Operation

Push button, Desktop Switch, Keyswitch, & 24hr timer for automatic mode operation.



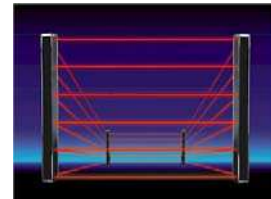
Intercom Control

Audio, Video & Audio, GSM Intercom operated over a mobile phone SIM card, Emergency Phone.



Photo Infra-Red Beams

Additional photo-beams can be installed to provide commands such as safety, opening, closing and alarm signals.



Access Control Integration

Keypads, Magnetic Swipe Card, Barcodes, Proximity Card, Photo ID, RFID & Radio Remote Control Technology, Biometric Controls, can all operate the system.



UPS – Battery Backup Facility

Battery back-up facility to operate the system in the event of a power fail and provides a level of mains power filtering.



Indicator Light Controls

LED indicator lights and For user feedback and information signs and bespoke directional signs etc.



Token Operation

Simple token operation with slotted token, can be customised with your organisations logo or name.

