

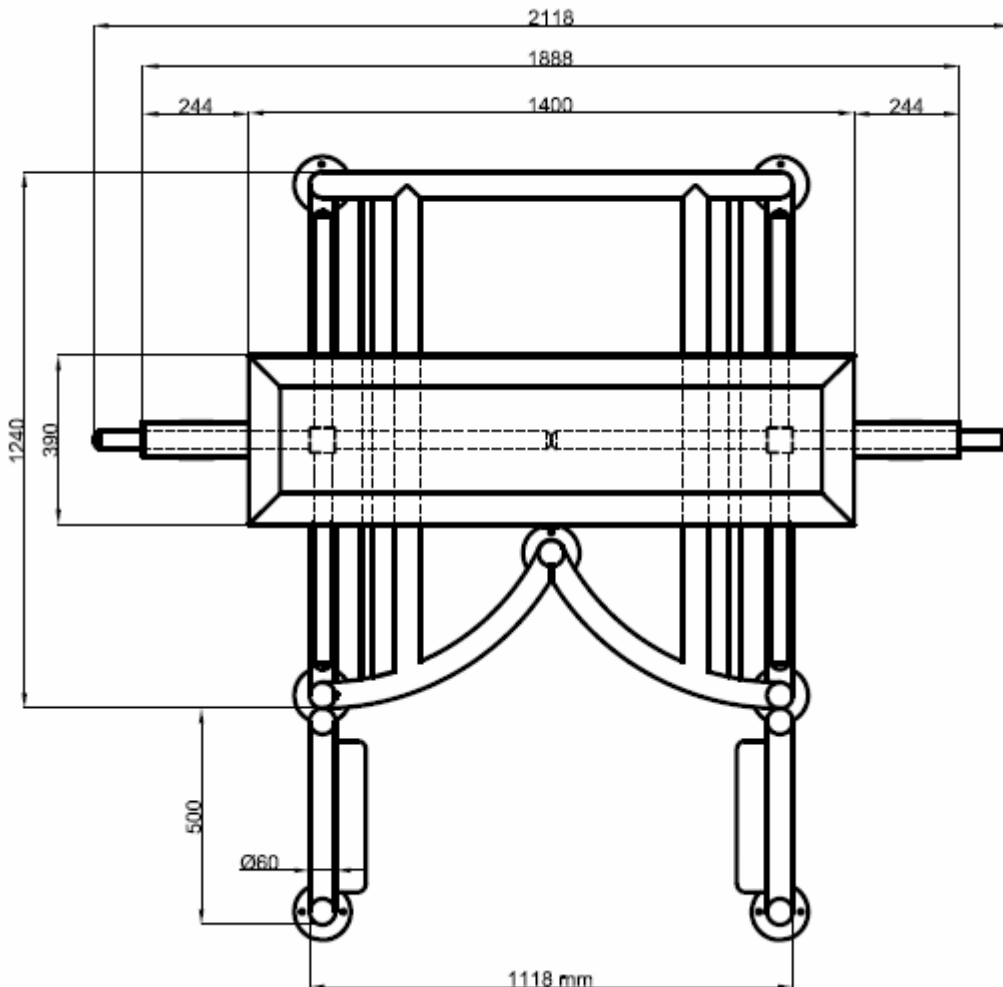
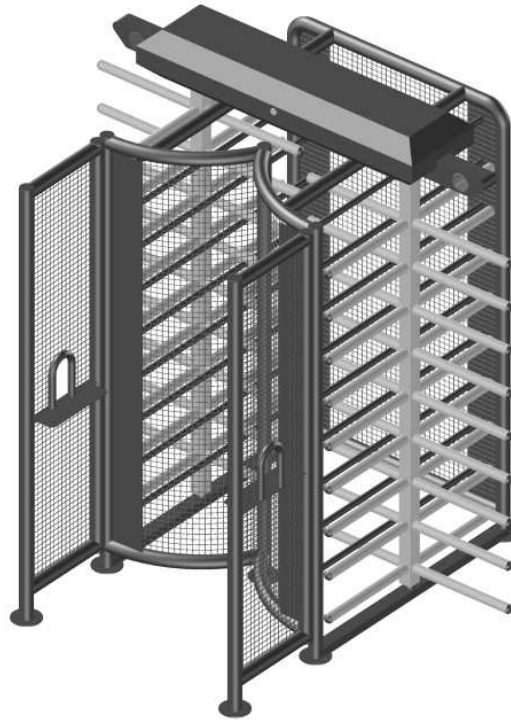
Outline Specification: EDSUKTFHT9211 Stadium Double Turnstile & Pay Window

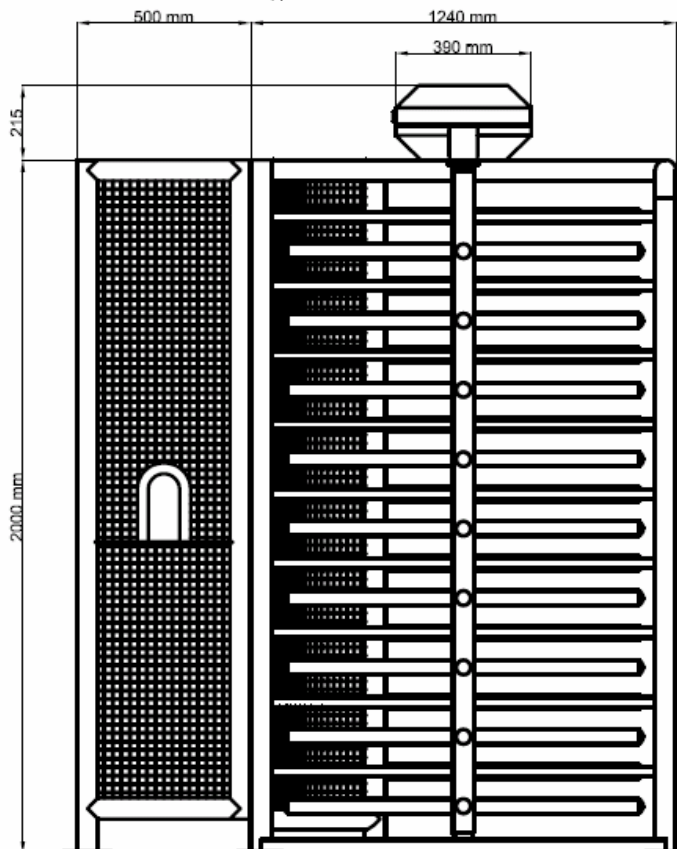
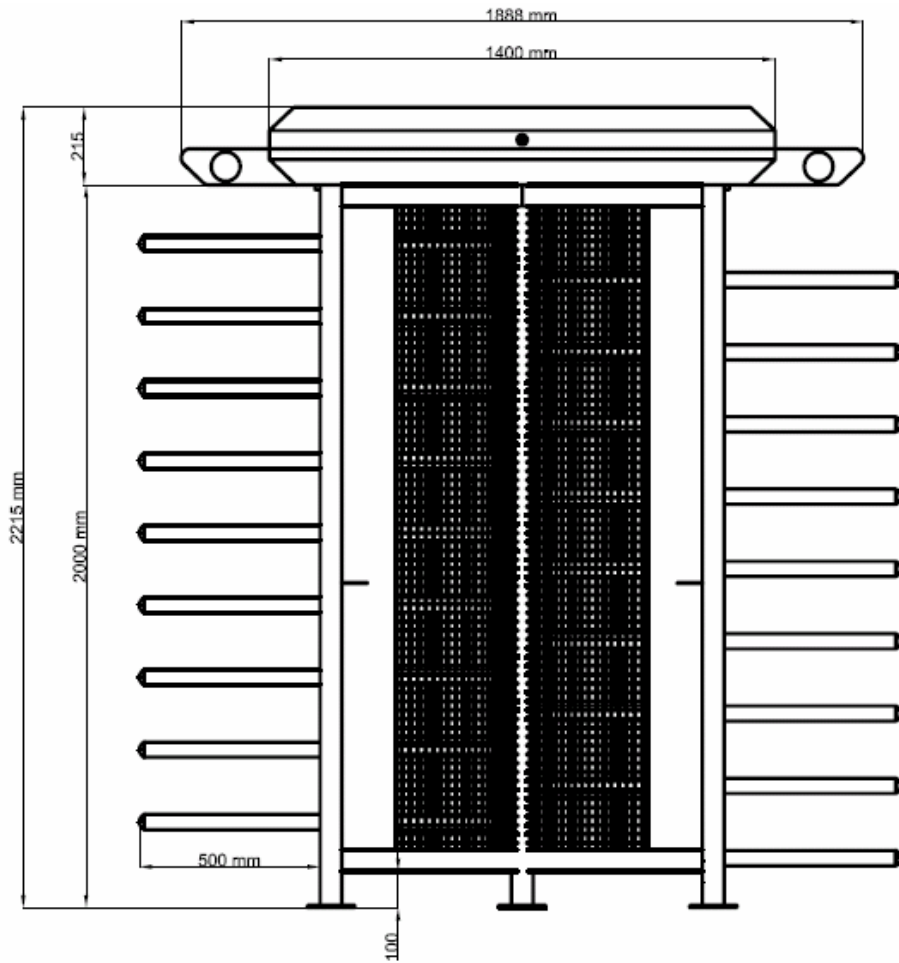
| | | | |
|-----------------------|---|------------------|--------|
| Height | 2215mm. | Width | 2118mm |
| Depth | 1740mm. | Rotor Arm Length | 500mm |
| Construction | Standard - Mild Steel. Option for Galvanised or Stainless Steel. | | |
| Finish | Standard Powdercoated (Any RAL Colour) can be matched to Corporate Colours at Extra Cost) with polyurethane top coat. Stainless Steel – Natural finish Stainless Steel | | |
| Safety | Supplied with failsafe unlock in power failure. Additional safety such as photocells, interactive IR detectors can be provided. | | |
| Drive Unit | Manual Mechanically Operated with Solenoid Locking System to engage after one rotation. | | |
| Controls | Microprocessor controlled unit which can interface to any standard control system, i.e. card reader, keypad, radio, barcode etc. | | |
| Power | Single Phase 230vac (UK) Supply both 50/60 Hz | | |
| Operating temperature | -30 to + 80 degrees Centigrade | | |

EDSUKTFHT9211 Stadium Double Turnstiles & Pay Window - The ultimate in security and control of foot flow through an entrance/exit point. They provide secure closure of passageways and well suited for checkpoints where high security and attractive design are equally important. With solenoid electrically controlled passage. The anti-reverse device prevents rotor reverse rotation preventing unauthorised entrance. The EDSUKTFHT9211 is available either single or bi-directional configurations and adapts to the speed of the person passing through. The EDSUKTFHT9211 is the ideal choice for either internal or external locations where high foot flow is experienced like Football Grounds, Stadiums, Leisure Venues, Museums, Corporate & Administration Buildings.

Standard and optional features; Delivered complete including control box & bi-directional unit. Design: Full height rotary turnstile for internal or external use. Available controlled in either or both directions. Microprocessor-controlled and is adjustable for all conventional reading systems. Free rotation on power failure or activation of fire alarm. Option of side DDA Disabled Access or Delivery Gate

Technical Specification & Notes:





Optional Features

Switch & Timer Operation

Push button, Desktop Switch, Keyswitch, & 24hr timer for automatic mode operation.



Intercom Control

Audio, Video & Audio, GSM Intercom operated over a mobile phone SIM card.



Access Control Integration

Keypads, Magnetic Swipe Card, Barcodes, Proximity Card, Photo ID, RFID & Radio Remote Control Technology, Biometric Controls, can all operate the system.



UPS – Battery Backup Facility

Battery back-up facility to operate the system in the event of a power fail and provides a level of mains power filtering.



Traffic Light Control

LED traffic lights and information signs, full & spaces, stop & go and bespoke directional signs etc.



Photocell Safety/ Opening Sensors

Photocell detectors providing opening/rise, close/lower, Switching & alarms etc.



Token Operation

Simple token operation with slotted token, can be customised with your organisations logo or name.

