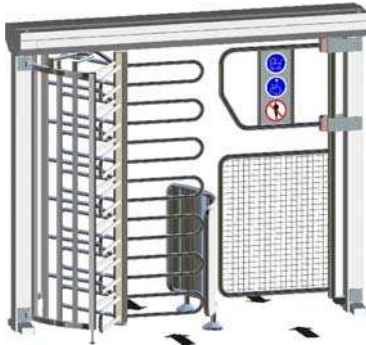




EDSUKTFHT9304 Full Height Turnstile with Side Pedestrian Access Gate



Outline Specification: EDSUKTFHT9304 Full Height Turnstile with Side Pedestrian Access Gate

Height	2250mm.
Width	2623mm.
Depth	1280mm
Construction	Galvanised, Steel or Stainless Steel.
Finish	Powdercoating - Shotblasted to clean metal, hot-dipped galvanised or coated with zinc, with a special 3-part coating system with polyurethane top coat. Stainless Steel – Natural finish Stainless Steel. Please specify at time of order.
Drive Unit	Manual Drive.
Controls	Microprocessor controlled drive unit which can interface to any standard control system, i.e. push button, switch, card reader, keypad, tag, biometric, etc.
Power	Single Phase 230vac Supply both 50/60 Hz
Operating temperature	-20 to +80 degrees Centigrade

EDSUKTFHT9304 Full Height Turnstile for external or internal use, with optional steel, galvanised steel or stainless steel material with natural or powdercoated finish, please ask for details.

Operation: Manually operated arms. Available as mechanical only unit or controlled in either or both directions. Can be controlled via any access control unit which gives out a volt free contact (supplied separately). Free rotation on power failure or activation of Fire Alarm. Unlocking mechanism adjustable Single or double turnstile units available, 90 degree 4 bar rotors or 120 degree 3 bar rotors, straight or hooped bars, Mechanical or electric operation, overhead canopy option available.

The turnstile can also be fitted with a side mounted pedestrian gate incorporating a standard mechanical lock, electronic lock or automatic opening & closing mechanism to aid easier access of DDA or deliveries. EDSUKTFHT9304 Full Height Turnstile is designed to conform to the existing safety regulations, installed and tested by EDSUK, a guarantee of long lasting higher reliability.

Note – These turnstiles are built to order and can be individually specified. EDS Reserve the right to amend the details without notification.

© Copyright EDS (Electrical-Data-Security) Ltd The Service Provider

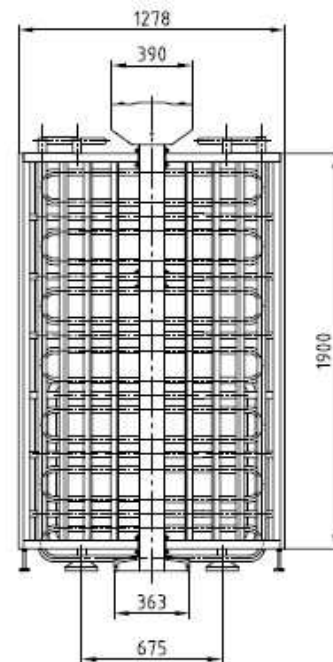
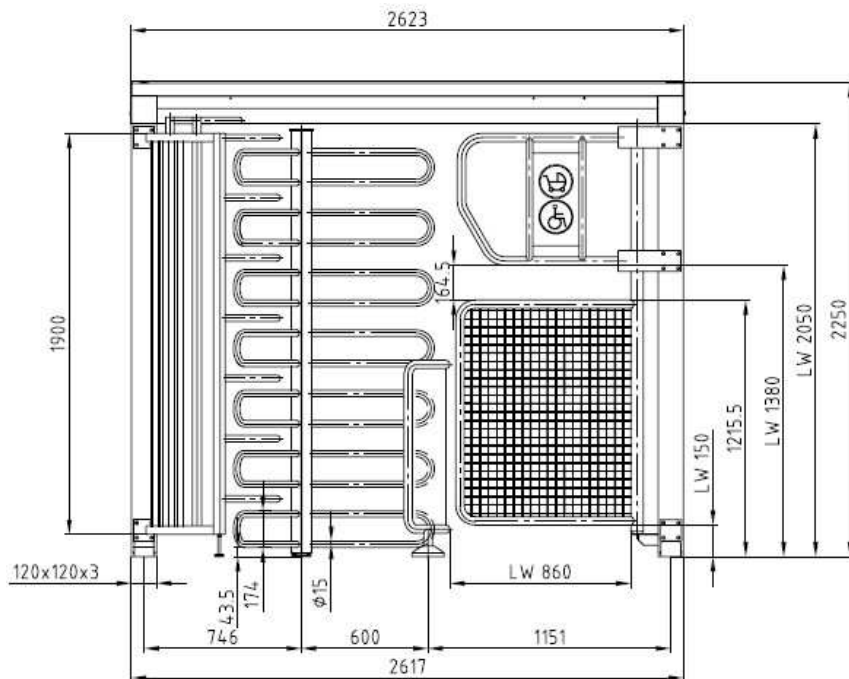
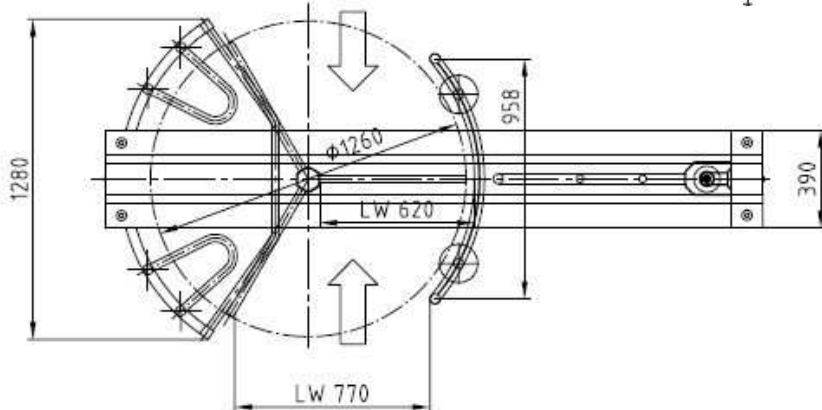
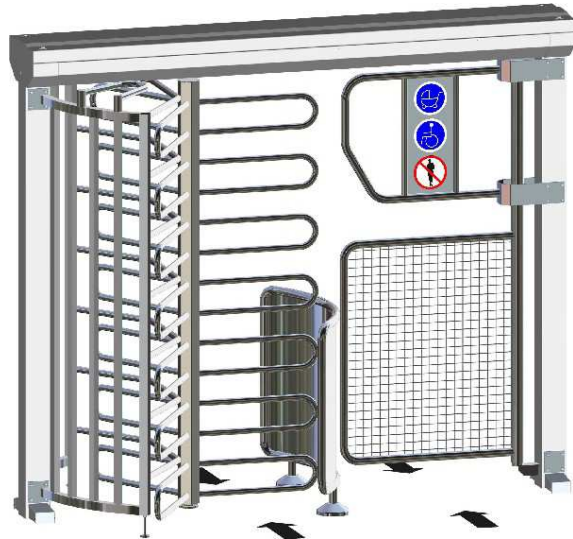
www.edsuk.com Tel. 0870 735 5050 Fax 0870 735 5533

EDS reserve the right to amend product specifications and details without notice.



EDSUKTFHT9304 Full Height Turnstile with Side Pedestrian Access Gate

Technical Specification & Notes:



© Copyright EDS (Electrical-Data-Security) Ltd *The Service Provider*

www.edsuk.com Tel. 0870 735 5050 Fax 0870 735 5533

EDS reserve the right to amend product specifications and details without notice.



EDSUKTFHT9304 Full Height Turnstile with Side Pedestrian Access Gate

Optional Features

Switch & Timer Operation

Push button, Desktop Switch, Keyswitch, & 24hr timer for automatic mode operation.



Intercom Control

Audio, Video & Audio, GSM Intercom operated over a mobile phone SIM card.



Access Control Integration

Keypads, Magnetic Swipe Card, Barcodes, Proximity Card, Photo ID, RFID & Radio Remote Control Technology, Biometric Controls, can all operate the system.



UPS – Battery Backup Facility

Battery back-up facility to operate the system in the event of a power fail and provides a level of mains power filtering.



Traffic Light Control

LED traffic lights and information signs, full & spaces, stop & go and bespoke directional signs etc.



Photocell Safety/ Opening Sensors

Photocell detectors providing opening/rise, close/lower, Switching & alarms etc.



Token Operation

Simple token operation with slotted token, can be customised with your organisations logo or name.

