



EDSUKTHH27 Half Height Motorised Turnstile



Outline Specification: EDSUKTHH27 Half Height Motorised Turnstile

Height	1025mm.
Width	275mm.
Length	1275mm
Construction	Stainless Steel CrNi Steel Type 1.4301
Finish	Stainless Steel – Natural finish Stainless Steel
Drive Unit	Motorised Powered to Rotate under Underground hydraulic.
Controls	Microprocessor controlled drive unit which can interface to any standard control system, i.e. card reader etc.
Power	Single Phase 230vac (UK) Supply both 50/60 Hz
Operating temperature	-20 to +50 degrees Centigrade

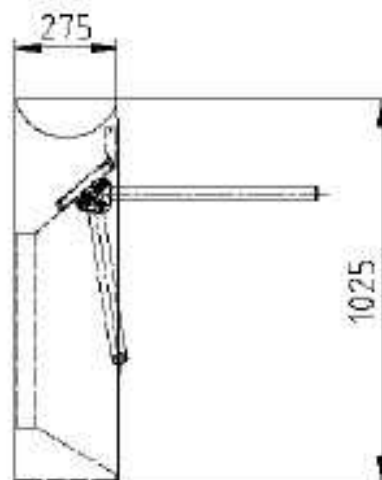
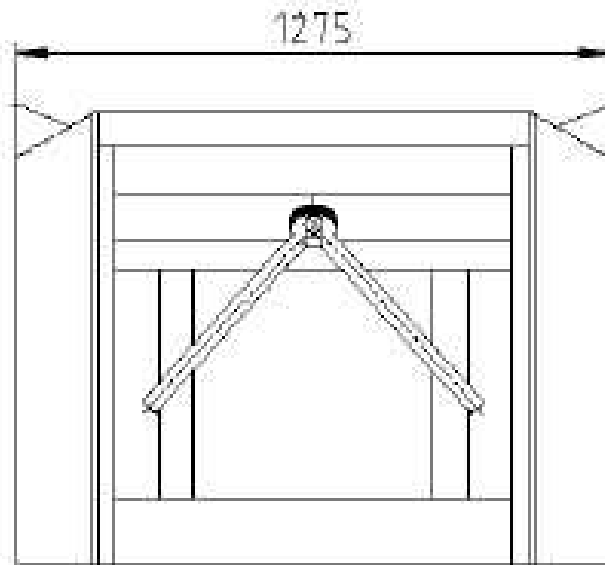
EDSUKTHH27 Half Height Motorised Turnstile, with its fully enclosed, high-quality, robust, vandal-proof stainless steel housing, is especially well suited for use in a battery of turnstiles at high-traffic indoor access points. The housing can accommodate card readers and ticket collectors. The EDSUKTHH27 can be used for single or bidirectional operation and is available as the classic 3-arm turnstile or in 2-arm form -- either as an escape-route suitable turnstile or as Open Gate to block only in case of abuse. A large selection of options means it can be tailored to individual requirements.

EDSUKTHH27 is designed to be conform to the existing safety regulations, installed and tested by EDSUK, a guarantee of long lasting higher reliability.

Optional Extras:

Foundation Assembly for non-sustainable floors, Presence Sensor, Climb-over / Crawl-under Protection Red/green Lane Indicator, Red/green Release Light, External Operating Console, Factory Reader Installation

Technical Specification & Notes:





EDSUKTHH27 Half Height Motorised Turnstile

Barrier Rail Infill Panels

Glass, Chrome, Stainless Steel or Wire sections used for infill between turnstiles & gates and other structures.



Switch & Timer Operation

Push button, Desktop Switch, Keyswitch, & 24hr timer for automatic mode operation.



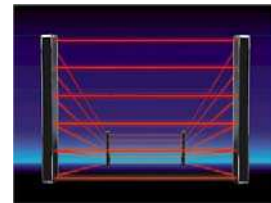
Intercom Control

Audio, Video & Audio, GSM Intercom operated over a mobile phone SIM card, Emergency Phone.



Photo Infra-Red Beams

Additional photo-beams can be installed to provide commands such as safety, opening, closing and alarm signals.



Access Control Integration

Keypads, Magnetic Swipe Card, Barcodes, Proximity Card, Photo ID, RFID & Radio Remote Control Technology, Biometric Controls, can all operate the system.



UPS – Battery Backup Facility

Battery back-up facility to operate the system in the event of a power fail and provides a level of mains power filtering.



Indicator Light Controls

LED indicator lights and For user feedback and information signs and bespoke directional signs etc.



Token Operation

Simple token operation with slotted token, can be customised with your organisations logo or name.

