



EDSUKTHH28 Half Height Tripod Turnstile



Outline Specification: EDSUKTHH28

| | |
|-----------------------|--|
| Dimensions | Height 1050mm Length 950mm Pedestal Width 280mm Overall Width 700mm |
| Construction & Finish | Natural finish Stainless Steel of 304 Lid & 316 grade stainless steel arms. |
| Safety | Supplied with failsafe built-in protection. Additional safety such as photocells, interactive IR detectors can be provided. |
| Drive Unit | Electro-Mechanical, c/w manual override. |
| Controls | Microprocessor controlled drive unit which can interface to any standard control system: Switch Operation, Intercom, Token, Barcode, RFID Radio Frequency, Radio Keyfob Transmitter, Proximity Card, Proximity Tag, Magstripe Card Reader, Digital Keypad, Biometric Fingerprint or Hand Geometry Readers, Building Management Systems, etc. |
| Power | Single Phase 230vac (UK) Supply both 50/60 Hz. |

EDSUKTHH28 Half Height Tripod Turnstile is a bidirectional tripod swing turnstile. It is composed of a stainless steel structure, with stainless steel tripod rotors, which can be programmed in a number of ways; controlled entry or exit with free entry or exit or controlled in both ways. On power failure the tripod unit is free rotation in both ways, allowing for free and easy access.

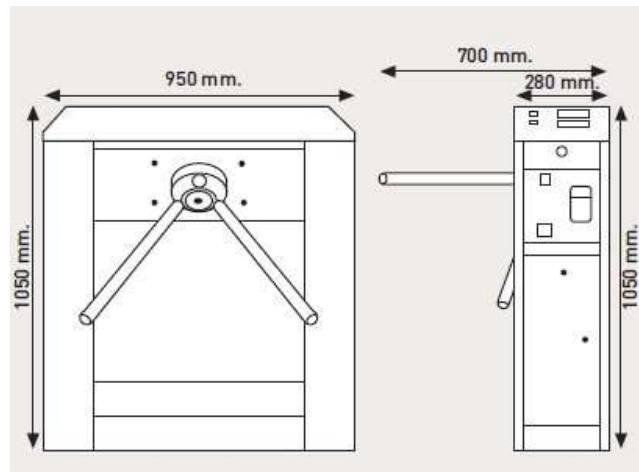
This turnstile offers the benefit of being affordable due to its simpler lines and construction yet still projects the image of an elegance & robustness. This turnstile can also be fitted with a optional drop arm as it offers completely free and unhindered exit in an emergency situation, as the battery power pack (which can be either built into the turnstile unit or situated remotely) unlocks the arm from the horizontal position and drops the arm down to a vertical position. The added benefit to this option is the automatic reset once the arm has been dropped, as the mechanism rotates on itself and then drops the arm back into position.

The tripod turnstile can be coupled with our range of DDA wide access gates to allow for disabled users, pushchairs and delivers. Any excess gaps between the turnstile and the walls or other turnstiles or DDA gates can be made up with our range of Glass Barrier Rail or Stainless Steel Rope System to provide an architectural and aesthetically pleasing finish, other options are also available.



EDSUKTHH28 Half Height Tripod Turnstile

Images, Technical Specification & Notes:





EDSUKTHH28 Half Height Tripod Turnstile

Optional Features

Barrier Rail Infill Panels

Glass, Chrome, Stainless Steel or Wire sections used for infill between turnstiles & gates and other structures.



Switch & Timer Operation

Push button, Desktop Switch, Keyswitch, & 24hr timer for automatic mode operation.



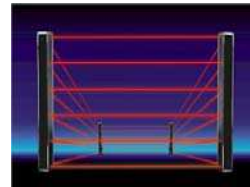
Intercom Control

Audio, Video & Audio, GSM Intercom operated over a mobile phone SIM card, Emergency Phone.



Photo Infra-Red Beams

Additional photo-beams can be installed to provide commands such as safety, opening, closing and alarm signals.



Access Control Integration

Keypads, Magnetic Swipe Card, Barcodes, Proximity Card, Photo ID, RFID & Radio Remote Control Technology, Biometric Controls, can all operate the system.



123456



UPS – Battery Backup Facility

Battery back-up facility to operate the system in the event of a power fail and provides a level of mains power filtering.



Indicator Light Controls

LED indicator lights and For user feedback and information signs and bespoke directional signs etc.



Token Operation

Simple token operation with slotted token, can be customised with your organisations logo or name.

